

FISHER & PAYKEL

FREESTANDING RANGE

OR90 Dual Fuel models

INSTALLATION GUIDE

NZ AU

⚠ WARNING!

Electrical Shock Hazard

Failure to follow this advice may result in electrical shock or death.



- Before carrying out any work on the electrical section of the appliance, it must be disconnected from the mains electricity supply.
- Connection to a good ground wiring system is absolutely essential and mandatory.
- Alterations to the domestic wiring system must only be made by a qualified electrician

⚠ WARNING!

Cut Hazard

Failure to use caution could result in injury or cuts.



- Take care - some edges are sharp.

⚠ WARNING!

Tipping Hazard

Failure to do so can result in death or serious burns to children of adults.



- To reduce the risk of tipping the appliance, the appliance must be secured by properly installed anti-tip device packed with the appliance.
- A child or adult can tip the range and be killed.
- Install the anti-tip device to the structure by fastening the supplied bracket to the floor and wall following the instructions for installing the anti-tip device.
- Engage the anti-tip device.
- Re-engage the anti-tip device if the range is moved.

**IMPORTANT!
SAVE THESE INSTRUCTIONS**

The models shown in this installation guide may not be available in all markets and are subject to change at any time. For current details about model and specification availability in your country, please go to our website fisherpaykel.com or contact your local Fisher & Paykel dealer.

IMPORTANT SAFETY INSTRUCTIONS!

- To avoid hazard, follow these instructions carefully before installing or using this appliance.
- Please make this information available to the person installing the appliance – doing so could reduce your installation costs.
- This appliance must be installed according to AS/NZS 5601.1 (latest edition).
- This appliance must be installed in accordance with these installation instructions.
- This appliance shall only be serviced by authorized personnel.
- This appliance is to be installed only by an authorised person in compliance with the current electrical regulations gas codes and in observation of the instructions supplied by the manufacturer. Failure to comply with this condition will render the guarantee invalid.
- In the room where the range is installed, there must be enough air to allow the gas to burn correctly, according to the current local regulations.
- This appliance must only be installed in a permanently ventilated room in compliance with the applicable regulations.
- Isolating switch: ensure this range is connected to a circuit which incorporates an isolating switch providing full disconnection from the power supply in accordance with the wiring rules.
- The range must be earthed.
- Do not use adaptors, reducers or branching devices to connect the range to the mains electricity supply, as they can cause overheating and burning.
- Check for damage after unpacking and that the range door closes correctly.
- The manufacturer accepts no responsibility for the incorrect installation of appliances. Incorrect installation may result in personal injury, damage to property and may invalidate any warranty or liability claims.
- Do not modify this appliance.
- Some models are supplied with a protective film on steel and aluminum parts.
- This film must be removed before installing/using the appliance.
- Packing elements (eg plastic bags, polystyrene foam, staples, packing straps etc) and tools should not be left around during and after installation, especially if they are within easy reach of children, as these may cause serious injuries.
- Ensure you recycle the packaging material where possible.
- Before disposing of any appliance, ensure that it can no longer be used and that all hazardous parts are removed or made harmless, so that children playing with the old appliance cannot harm themselves.
- The various components of the appliance are recyclable. Dispose of them in accordance with the regulations in force in your country. If the appliance is to be scrapped, remove the power cord.
- Be sure that the unit being installed is set up for the kind of gas being used. The gas range is shipped from the factory set and adjusted for Natural Gas. It can be converted for use with ULPG following the instructions in this manual.

GENERAL INSTALLATION INFORMATION

Cleaning and servicing

- Service should only be performed by an authorised technician.
- When removing appliance for cleaning and/or service:
- Shut off gas at main supply.
- Disconnect AC power supply.
- Disconnect gas line to the inlet pipe.
- Carefully remove the range by pulling outward.
- CAUTION: Range is heavy; use care in handling.
- The misuse of oven door (eg stepping, sitting, or leaning on them) can result in potential hazards and/or injuries.
- When installing or removing the range for service, a rolling lift jack should be used. Do not push against any of the edges of the range in an attempt to slide it into or out of the installation. Pushing or pulling a range (rather than using a lift jack) also increases the possibility of bending the leg spindles or the internal coupling connectors.

IMPORTANT!

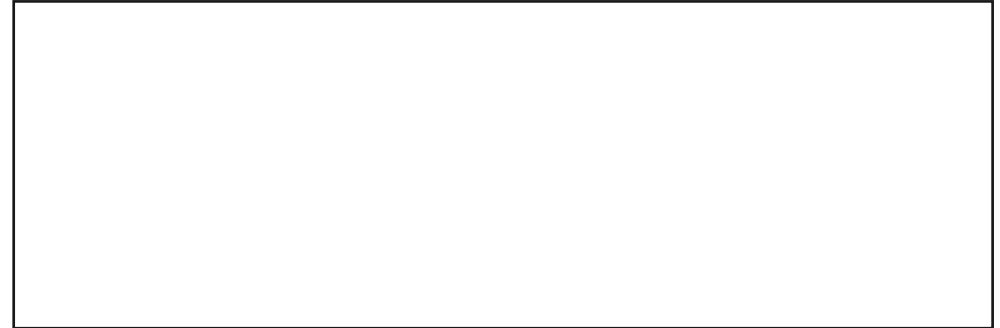
Range is heavy, use care in handling.

Do not lift the range by the oven door handle or hob rail, or by lifting the cooktop trim as this may damage the appliance.

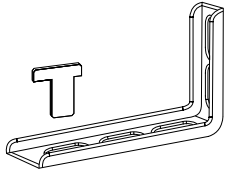
Replacement parts

Only authorised replacement parts may be used in performing service on the range. Replacement parts are available from factory authorised parts distributors. Contact the nearest parts distributor in your area.

PRODUCT LABEL



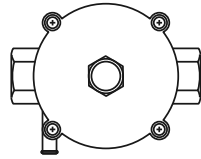
PARTS SUPPLIED FOR INSTALLATION



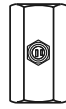
Anti-tip bracket and lock pin (1)



Screws and plastic sleeve anchors (2)



Pressure regulator (1)



Test point adapter (1)



Brass conical adapter and gasket (1)

TOOLS NEEDED FOR INSTALLATION (NOT SUPPLIED WITH THE APPLIANCE)

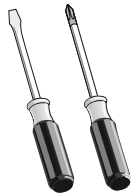
IMPORTANT!

THIS APPLIANCE MUST BE INSTALLED BY A QUALIFIED INSTALLER.

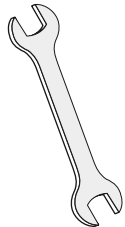
Improper installation, adjustment, alteration, services, or maintenance can cause injury or property damage.

Consult a qualified installer, service agent, or the gas supplier.

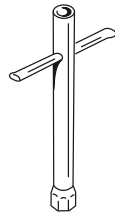
The use of suitable protective clothing/gloves is recommended when handling or installing this appliance.



Screwdriver



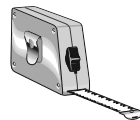
2 - Wrench



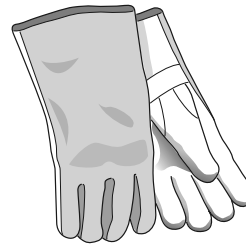
T-handle wrench



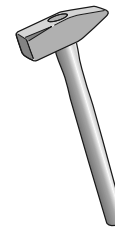
Pencil



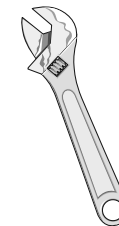
Tape measure



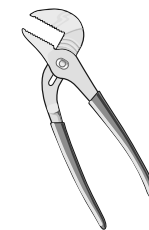
Suitable protective gloves



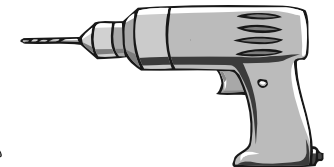
Hammer



Adjustable wrench



Adjustable pliers



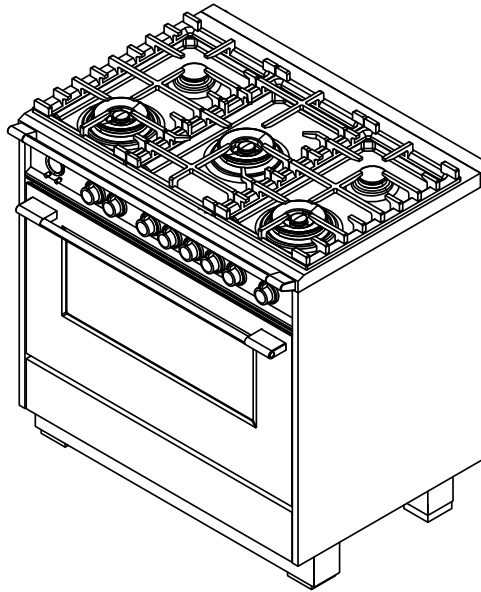
Drill

MODEL IDENTIFICATION

Model features may vary

OR90 MODELS

OR90SCG1
OR90SCG2
OR90SCG4
OR90SCG6
OR90SDG6



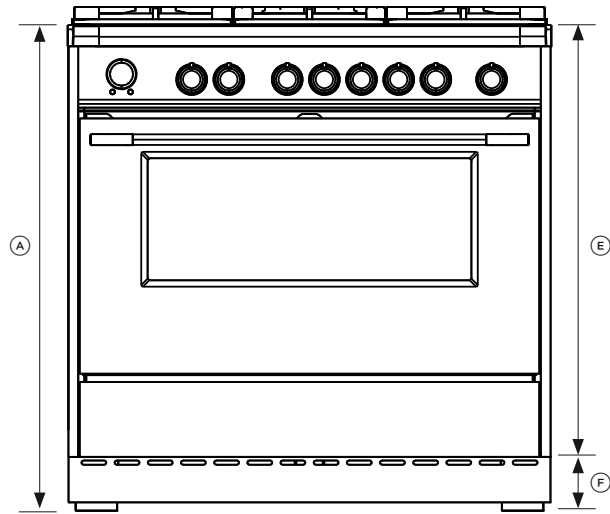
PRIOR TO INSTALLATION

Unpacking and handling

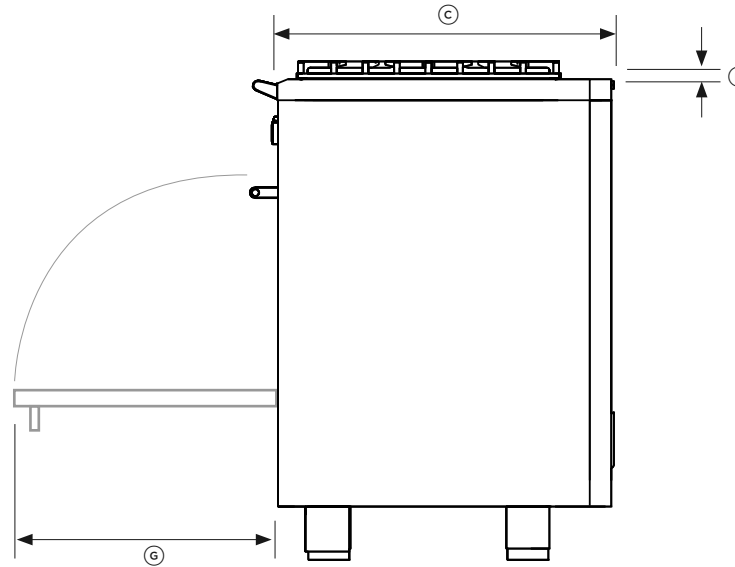
- Inspect the range to verify that there is no shipping damage. If any damage is detected, call the shipper and initiate a damage claim. Fisher & Paykel is not responsible for shipping damage.
- DO NOT discard any packing material until the range has been inspected.
- Remove the outer carton and any packing material from range. Some models are supplied with a protective film on steel and aluminum parts. This film must be removed before installing or using the appliance.

PRODUCT DIMENSIONS

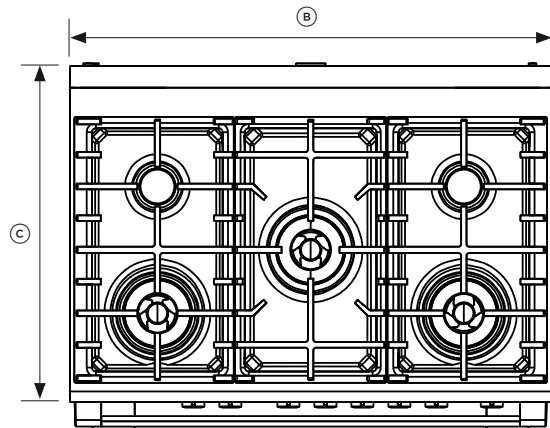
Note: Model features may vary
Optional kickstrip is available (purchased separately)



FRONT



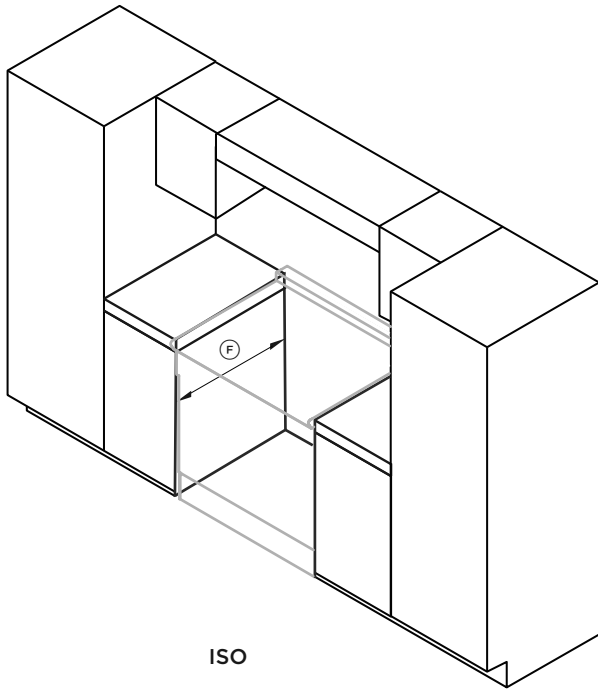
PROFILE



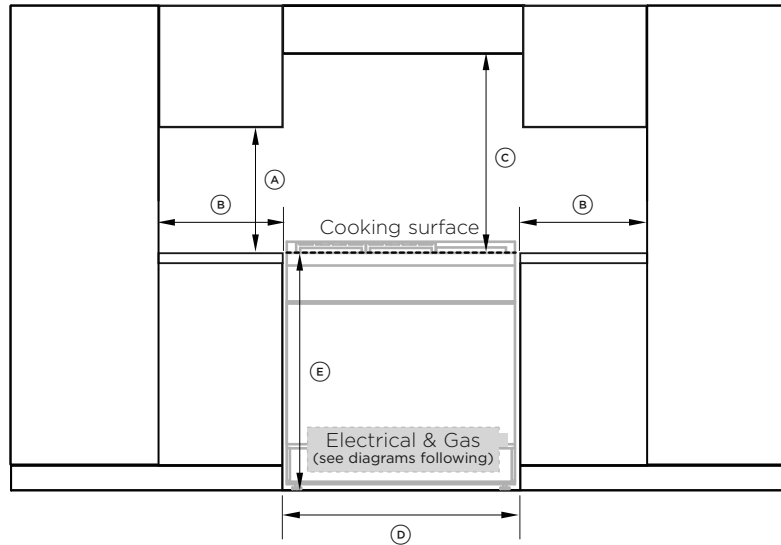
PLAN

PRODUCT DIMENSIONS	OR90 DUAL FUEL
	MM
(A) Overall height of range (from floor to top of cooktop, excl. grates and optional backguard)	min 898 max 946
(B) Overall width of range	897
(C) Overall depth of range (from front of range to rear of backguard, excl. handles and dials)	600
(D) Height of optional backguard from top of cooktop (supplied with some models only)	60
(E) Height of chassis (excl. adjustable feet)	813
(F) Adjustable feet height	min 85 max 133
(G) Depth of open door to front of range	451

CLEARANCE DIMENSIONS



ISO



FRONT

Note

Overhead Clearances

- In no case shall the clearances between the highest part of the cooker be less than 650mm or for an overhead exhaust fan 750 mm. All other downward facing combustible surfaces less than 650 mm above the cooker surface shall be protected for the full width of the cooking surface in accordance with the standards noted above. In no case shall the clearance be less than 450 mm.
- Rear and Side Clearances
- Where the dimensions from the periphery of the nearest burner to any vertical combustible surface is less than 200 mm the surface shall be protected in accordance with the standards to a height of not less than 150 mm above the cooking surface for the full width or depth of the cooking surface.
- Where the dimensions from the periphery of the nearest burner to any horizontal combustible surface is less than 200 mm, the horizontal surface shall be greater than 10 mm below the surface of the hob, or the horizontal surface requirement above.
- Do not install the range near flammable materials such as curtains.
- Installing the range on a plinth
- The range can be installed on a plinth without the adjustable feet fitted.
- Ensure the range is secure and provide safety measures to keep it in place.
- Cabinetry dimensions can be adjusted to suit the plinth height, see product dimensions for chassis height.

CLEARANCE DIMENSIONS	OR90 DUAL FUEL
	MM
(A) Minimum vertical distance between benchtop and cabinet extending above counter	450
(B) Minimum clearance from left and right edge of cooker to nearest vertical combustable surface*	200
(C) Minimum clearance from cooking surface to:	
• Overhead cabinet centered above the cooktop (combustible/unprotected)*	650
• Overhead cabinet centered above the cooktop (non-combustible/protected)*	450
• Ventilation hood centered above the cooking surface	750
(D) Width of cabinetry opening	900
(E) Maximum height of cabinetry immediately adjacent to the range (from floor to countertop)**	946
(F) Maximum depth from wall to cabinetry face	600

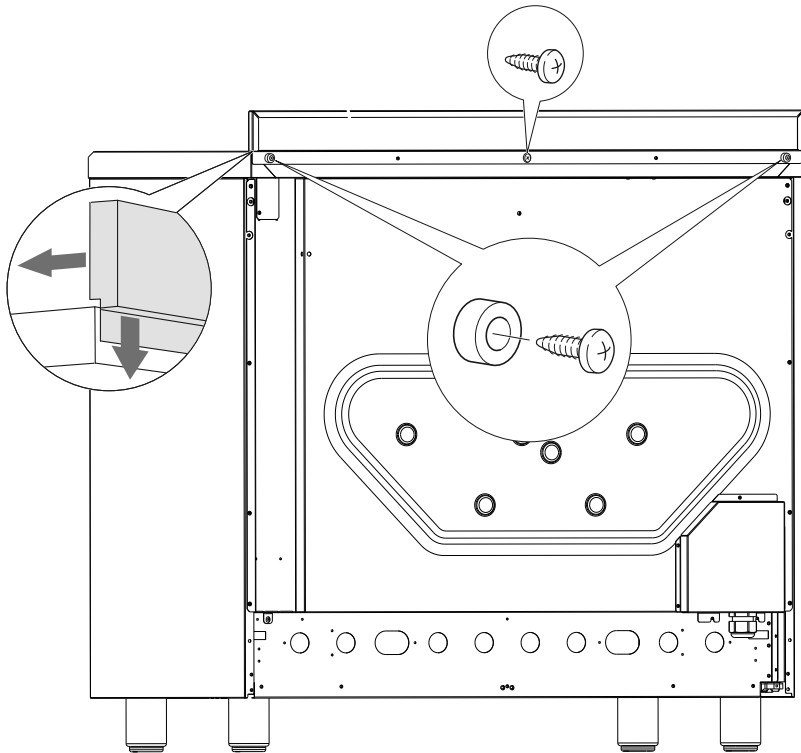
*Installation clearances and protection of combustable surfaces shall comply with the current local regulations eg. AS/NZS5601.1 (latest edition) Gas Installations code. The standards above specify that where required protection shall ensure that the surface temperature of the combustable surface does not exceed 65°C above room temperature.

**Depending on the height of the feet adjustment. The cooking surface must sit flush or above countertop level.

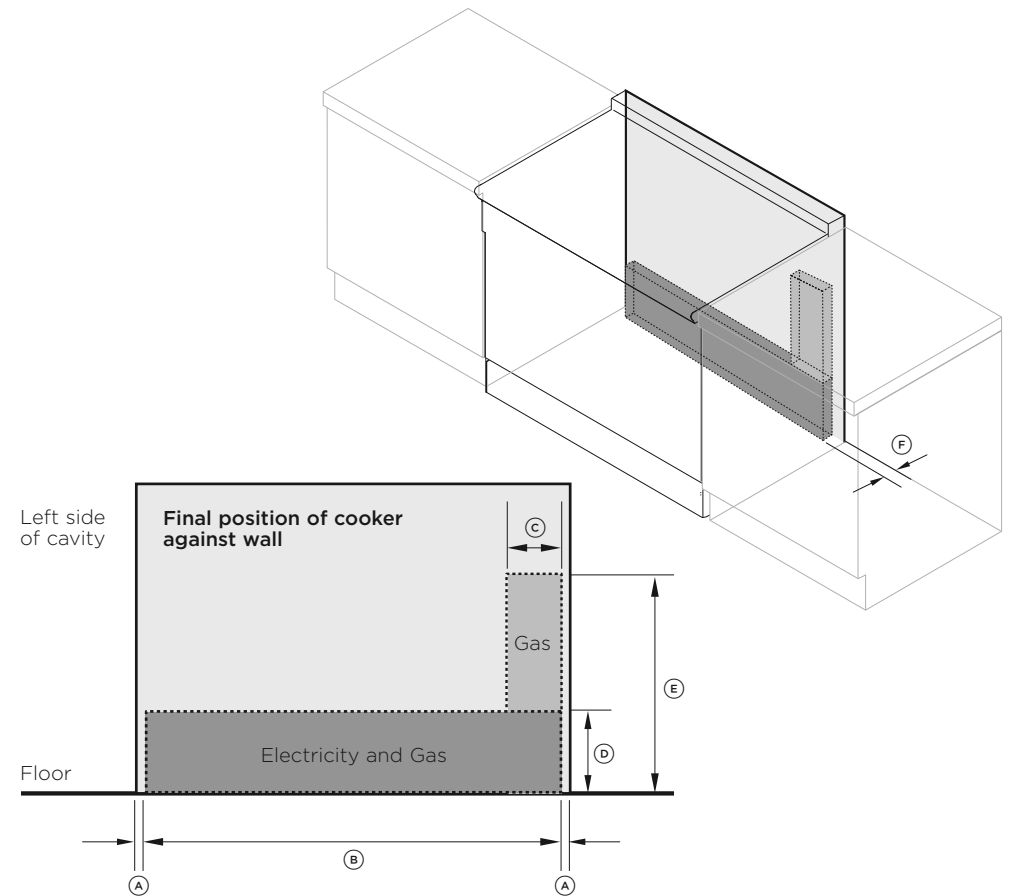
FITTING THE OPTIONAL BACKGUARD

Backguard (supplied with some models only)

- Remove the screws and spacers on the rear of the cooktop.
- Assemble the backguard as shown and fix onto the back of the range using the same screws and spacers.
- Fix the backguard onto the range using the screws provided.



LOCATION OF ELECTRICAL SUPPLY



SUPPLY AREA DIMENSIONS		MM
(A)	Distance from either edge of range to supply area	19
(B)	Width of electrical area	860
(C)	Width of gas only supply area	79
(D)	Height of electrical supply area*	210 - 260
(E)	Height of gas supply area*	700 - 750
(F)	Depth of supply area (ie maximum protrusion of gas and electrical connection from wall)	74

*Depending on adjustment of feet.

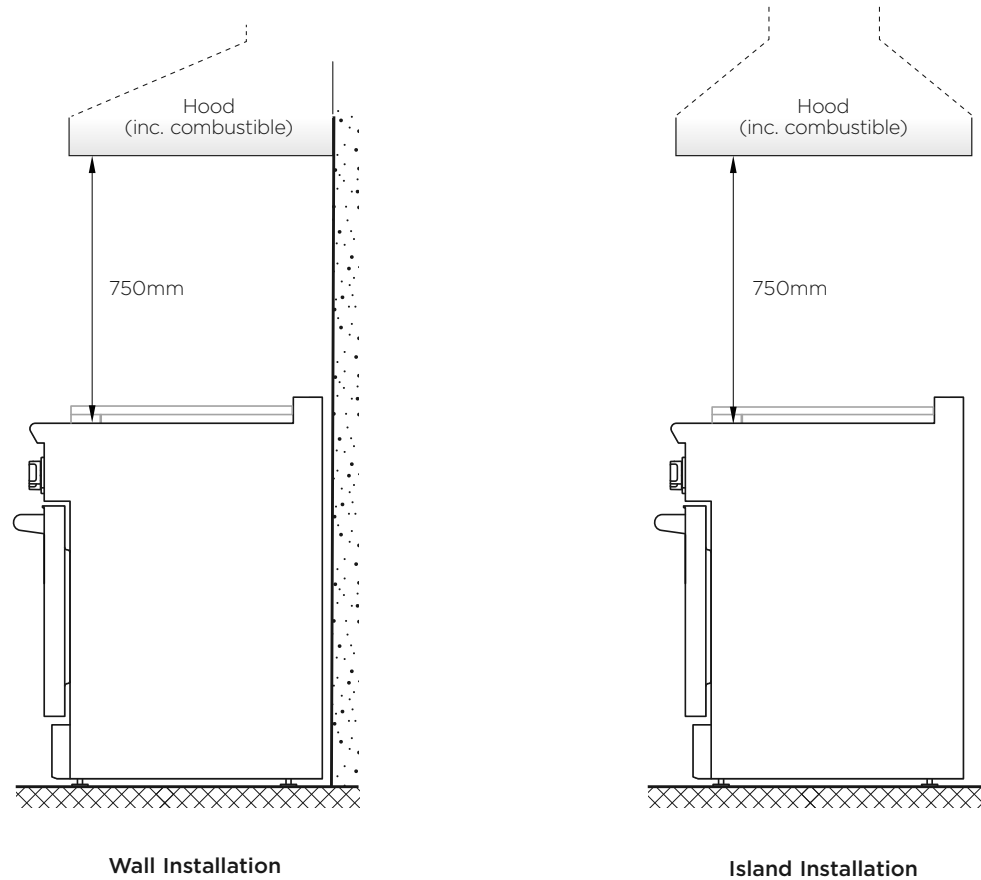
VENTILATION REQUIREMENTS

A suitable ventilation hood may be installed above the range.

Fisher & Paykel has a choice of ventilation hoods designed to match the rest of our kitchen appliance family. See fisherpaykel.com or your local dealer for more details.

IMPORTANT

- Consult local building codes and/or local agencies, before starting, to ensure that hood and duct installation will meet local requirements.
- Hood blower speeds should be variable to reduce noise and loss of heated or air conditioned household air when maximum ventilation is not required. Normally, the maximum blower speed is only required when using the grill or the self-cleaning cycle.



FITTING THE ADJUSTABLE FEET

Fitting the adjustable feet

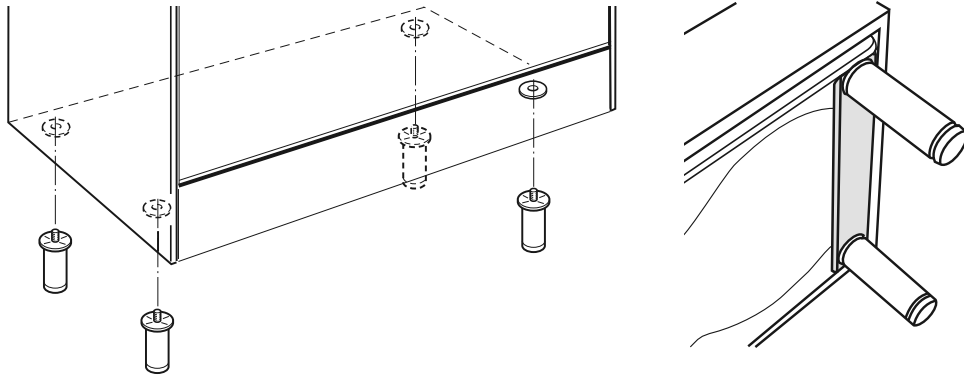
The adjustable feet must be fitted to the base of the range before use.

Rest the rear of the range on a piece of the polystyrene packaging exposing the base for the fitting of the feet.

IMPORTANT

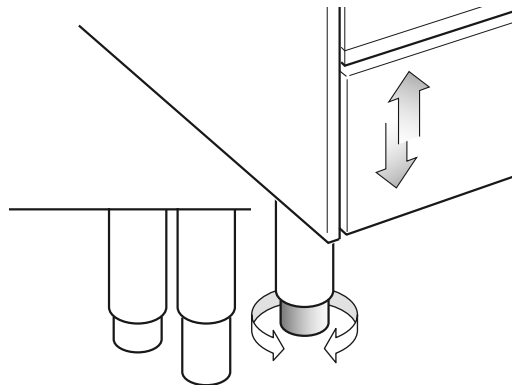
Take care not to damage the range during this operation.

Fit the four legs by screwing them tight into the support base as shown.



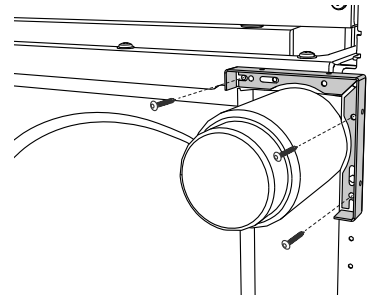
Levelling the range

- The range may be levelled by screwing the lower ends of the feet IN or OUT.
- Small adjustments may be made to the range in the upright position, however it may be necessary to tip the range again to make larger adjustments.

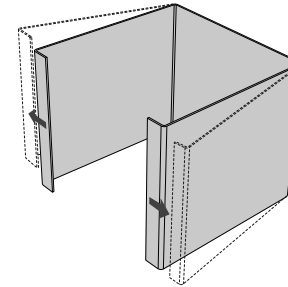


Fitting the adjustable feet covers (optional)

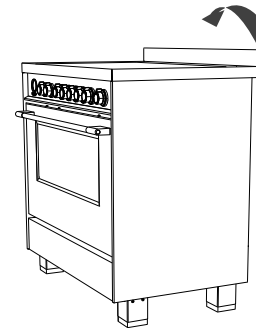
If using the adjustable feet covers fit these while the range is tipped over.



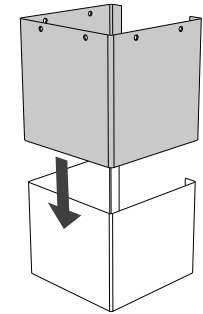
- ① Tip range onto its back and fix brackets to mounting holes.



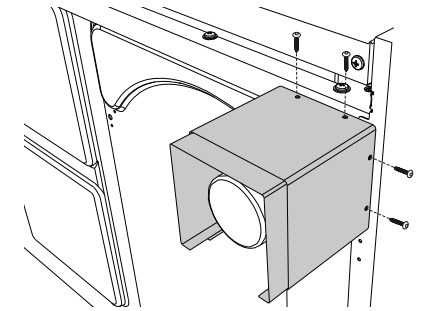
- ③ Gently bend the edges of the inner cover to adjust the tension between the two parts if needed.



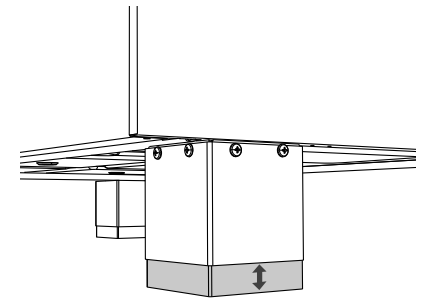
- ⑤ Stand range back upright.



- ② Assemble the feet covers by slotting the inner cover inside the outer cover.



- ④ Secure covers to brackets using the provided screws

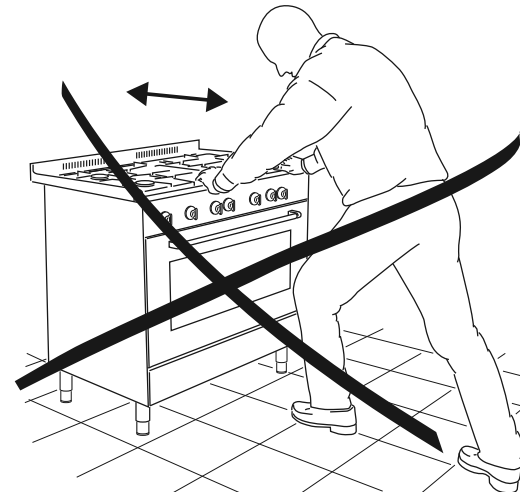
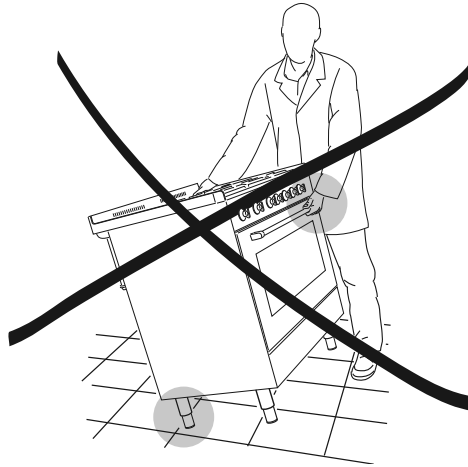
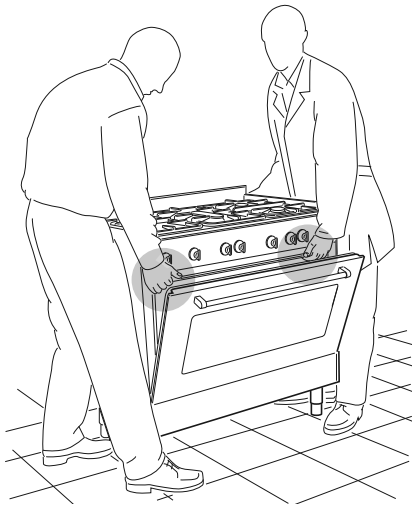


- ⑥ Adjust the inner panels of the foot covers to suit height of range feet.

MOVING THE RANGE

IMPORTANT!

- When raising range to upright position always ensure two people carry out this manoeuvre to prevent damage to the adjustable feet.
- Be careful: do not lift the range by the oven door handle, the hob rail or by lifting the cooktop trim as this may damage the appliance.
- When moving range to its final position DO NOT DRAG. Lift feet clear of floor.



INSTALLING THE ANTI-TIP BRACKET

IMPORTANT!

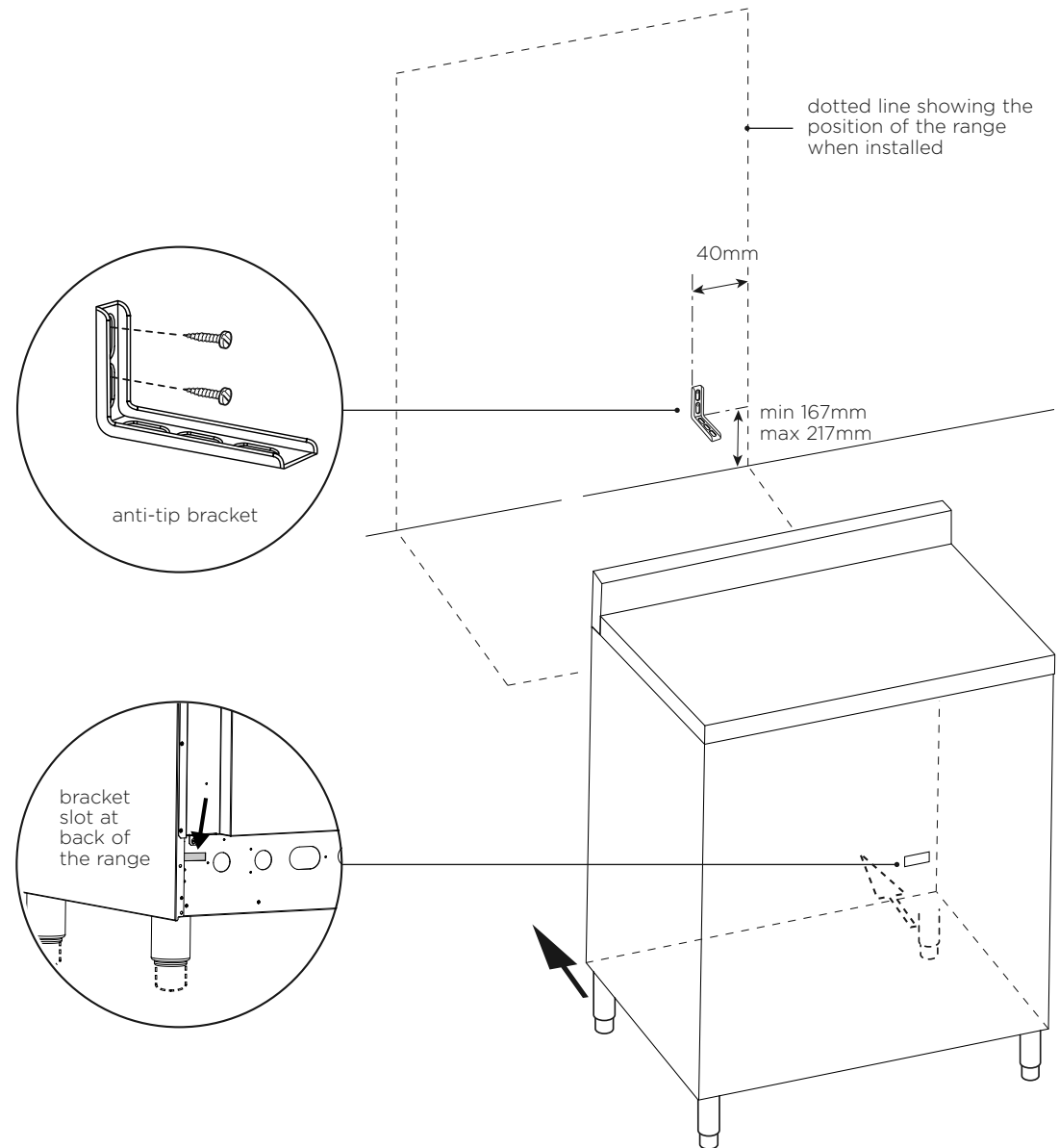
To restrain the range and prevent it tipping accidentally secure the range to the wall using the supplied anti-tip bracket. Ensure you also fit the supplied lock pin to the anti-tip bracket.

If installing the range above a plinth (without fitting the adjustable feet) revise the installation dimensions for the anti-tip bracket accordingly, considering that the feet have the following measurements: min 85mm - max 133mm.

Before drilling and holes or inserting any screws into the floor or wall check that you will not damage any wiring or pipes.

To fit the anti-tip bracket

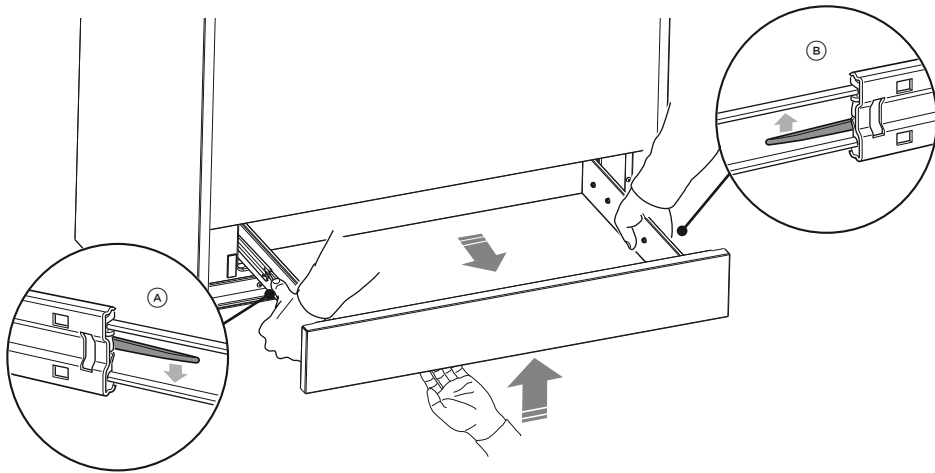
- 1 Loosely fix the anti-tip bracket to the wall using the supplied screws.
 - Drill two 8mm diameter holes in the wall and insert the supplied plastic sleeve anchors before inserting the screws.
- 2 Slide the range into place and adjust the height of the bracket so that it will align with the slot on the back of the range.
- 3 Tighten the screws to fix the anti-tilt bracket in place.
- 4 Push the range back into place so that the bracket is fully inserted into the slot on the back of the range.



INSTALLING THE ANTI-TIP BRACKET

Fitting the lock pin (models with a storage/warming drawer)

The anti-tip bracket is accessible by removing the storage/warmer drawer, and is positioned on the rear right side of the range.

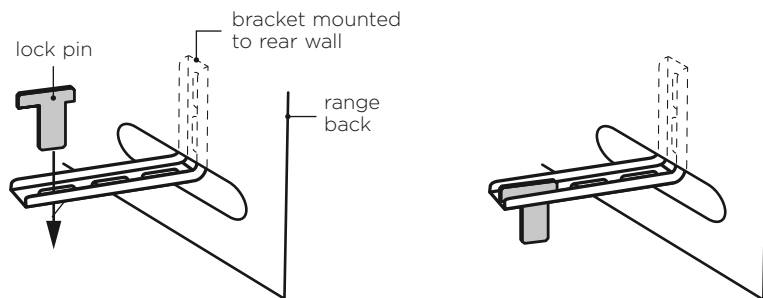


To remove the storage/warming drawer

- ① Open the storage/warming drawer completely.
- ② Move down the lever of left guide (A) and up the lever of right guide (B).
- ③ Remove the drawer holding the levers in the same position.

IMPORTANT

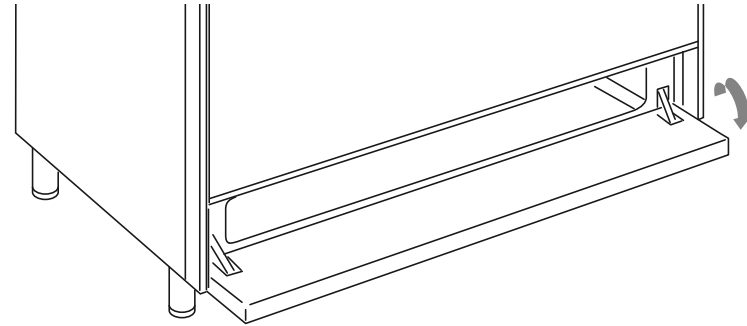
Do not remove storage/warming drawer while hot or during operation.
Be sure storage/warming drawer is empty before removing.
Always position your hand below the front panel to open/close the drawer.



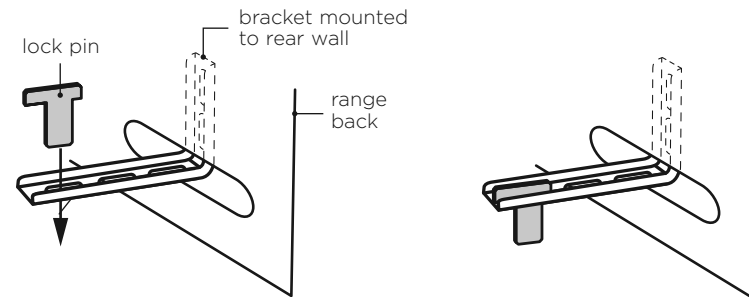
- ④ Fit the lock pin through the bracket as shown
- ⑤ Insert the drawer guides onto the sliding runners on either side of the range interior.
 - Ensure they are correctly lined up on both sides of the drawer.
- ⑥ Gently close the drawer completely. The safety catches will automatically lock into place.

Fitting the lock pin (models with a storage compartment)

The anti-tip bracket is accessible by opening the storage compartment door, and is positioned on the rear right side of the range.



- ① Open the storage compartment door.



- ② Fit the lock pin through the bracket as shown.
- ③ Close the storage compartment door.

ELECTRICAL CONNECTION

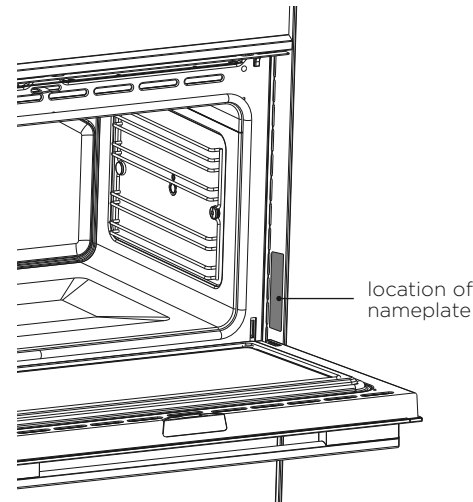
IMPORTANT!

- This range must be connected to the mains power supply only by a suitably qualified person. This range must be earthed.
- If the installation requires alterations to the domestic electrical system, call a qualified electrician. The electrician should also check that the electrical system is suitable for the electricity drawn by the cooker.
- The appliance must be connected to the mains electricity supply, checking that the voltage corresponds to the value given in the rating plate and that the electrical cable sections can withstand the load specified on the plate.
- A suitable disconnection switch must be incorporated in the permanent wiring, mounted and positioned to comply with the local wiring rules and regulations. The switch must be of an approved type installed in the fixed wiring and provide a 3mm air gap contact separation in all poles in accordance with the local wiring rules.
- A switch of the approved type with a 3mm air gap must be installed in the active (phase) conductor of the fixed wiring.
- The switch must always be accessible.
- The power supply cable must not touch any hot parts and must be positioned so that it does not exceed 75°C at any point.
- This cooker must be connected to a suitable double pole control unit adjacent to the cooker. No diversity can be applied to this control unit.
- This appliance must be connected to the electrical supply using a cable fitted with an appropriately rated plug. The plug must be compatible with the socket-outlet fitted to the final subcircuit in the fixed wiring that is intended to supply the appliance.

Replacing the power cord

- Replacements should only be made by a qualified electrician.
- Use a cable according to the applicable local regulations.

MODEL CODE	MAX POWER (W)	HZ	VOLTAGE (V)	AMPS (A)
OR90SCG1	3210	50 Hz	220-240V-	13.95
OR90SCG2	4950	50 Hz	220-240 V-	21.54
OR90SCG4	4950	50 Hz	220-240 V-	21.54
OR90SCG6	5200	50 Hz	220-240 V-	22.60
OR90SDG6	5200	50 Hz	220-240 V-	22.60

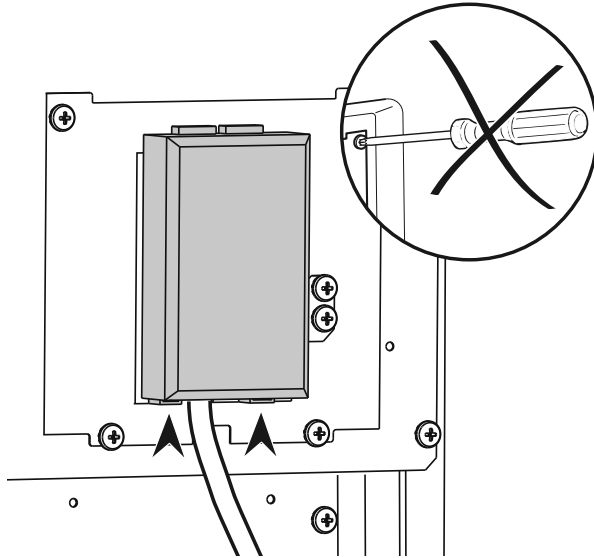


CONNECTION OF THE POWER SUPPLY CABLE

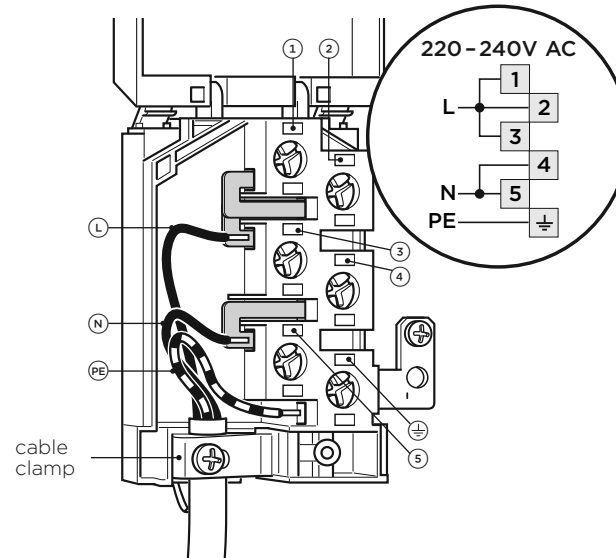
IMPORTANT!

The power supply cable must be connected by an authorised service person
DO NOT unscrew the screws fixing the cover plate behind the terminal block

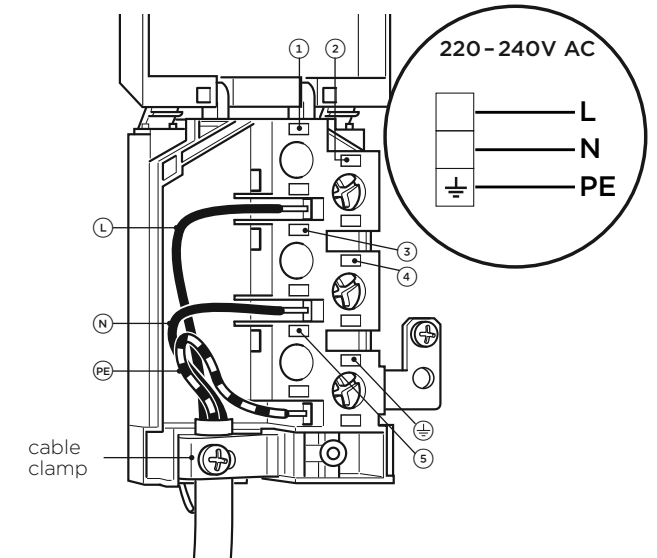
OR90SG6 MODELS ONLY



- ① Unhook the terminal board cover by inserting a screwdriver into the two hooks at the



- ② Unscrew the screw to open the cable clamp. For OR90SCG6 and OR90SDG6 models, connect the U bolts onto the terminal.



- ③ Connect the phase, neutral and earth wires to the terminal board as shown. Strain the feeder cable and block it with cable clamp. Screw clamp shut before closing the main cover.

Feeder cable section

Use a type of cable according to the applicable local regulations.

GAS CONNECTION

Gas supply

- The connection must be performed by an authorised person according to the relevant standards.
- This appliance is suitable for use with Natural Gas or ULPG. The gas range is shipped from the factory set and adjusted for Natural Gas. It can be converted for use with ULPG following the instructions in this manual.
- The connection must be made at the rear of appliance. Ensure the pipe does not cross the cooker.
- The inlet not used must be closed off with the cap and sealing gasket supplied.

Installation with a flexible hose assembly

- If this appliance has to be installed with a hose assembly, the installer shall refer to the network operator or gas supplier for confirmation of the gas type, if in doubt.
- When used with a flexible hose, the connector on the wall should be between 450mm to 500mm from the floor and 200 mm to 300 mm from the left-hand side of the appliance as viewed from the front. The hose connection on the appliance shall face downwards.
- It is important that the hose does not come in contact with the metal of the appliance and is secured as per appropriate gas installation codes. A chain 80% of the length of the flexible gas hose must be used to prevent stress being applied to the hose. The chain should be attached securely to the product where shown, and on the wall.
- Flexible hose assemblies should be AS/NZS 1869 Class B or Class D certified. The thread connection shall be Rp ½" (ISO 7-1) male.
- The hose assembly shall be as short as practicable and comply with relevant AS5601 / NZS5261 requirements.

IMPORTANT!

After connection the installer must check that the hose is not kinked, subjected to abrasion or permanently deformed. The installer must check also that the hose is not near (or in contact) with any hot surfaces.

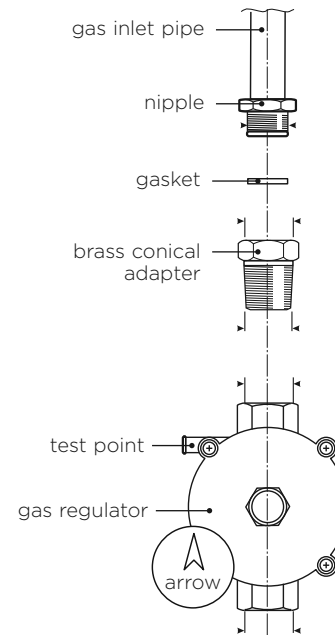
Gas connection specification

IMPORTANT!

Check the correct positioning of the gas regulator. The arrow on the back of the gas regulator must be oriented toward the connector.

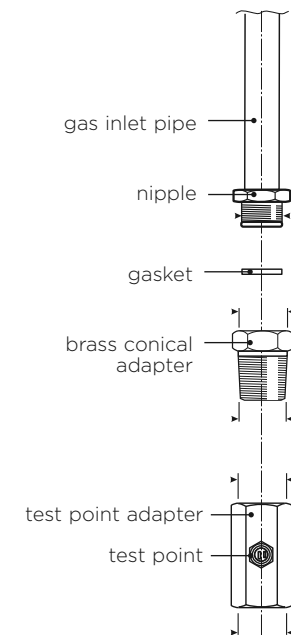
NG

Adjust to obtain a test point pressure of 1 kPa with all the burners operating at highest setting.



ULPG

Ensure the supply pressure is regulated to 2.75 kPa, with all the burners operating at highest setting.

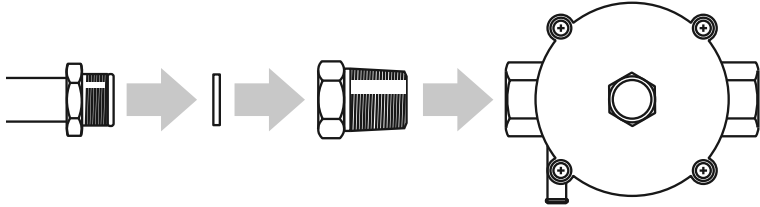


GAS CONNECTION

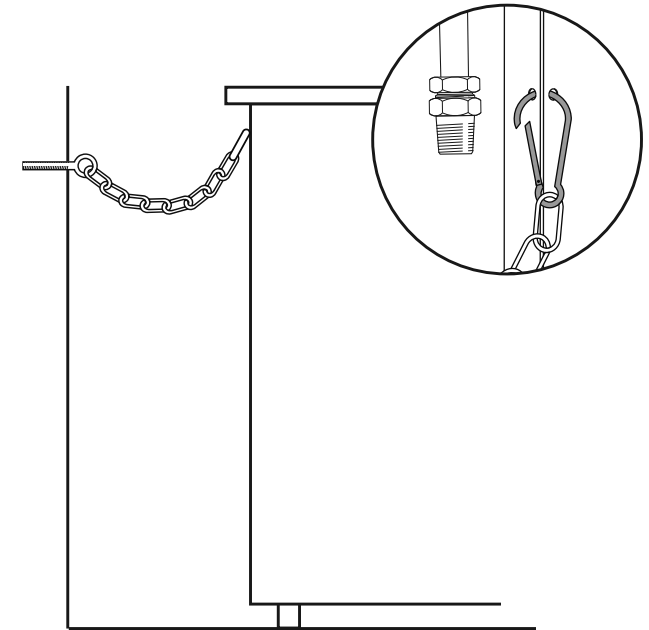
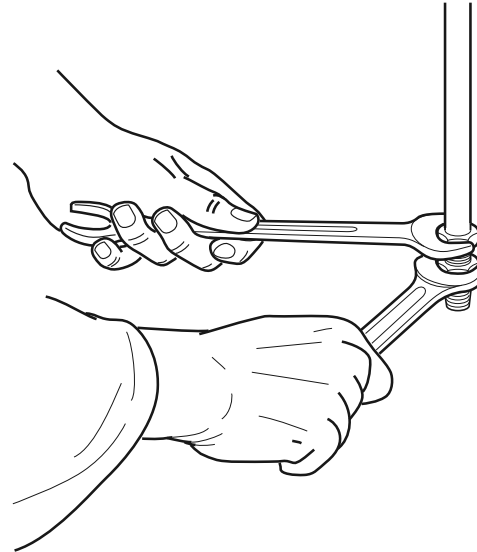
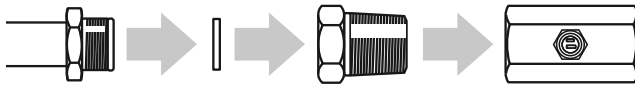
IMPORTANT!

The connection must be performed by an authorised person according to the relevant standards.

Natural Gas



ULPG



- ① Before connecting the appliance to the gas main, mount the brass conical adaptor onto the gas inlet pipe, ensuring the supplied gasket is positioned between.

Natural Gas

- Connect gas supply to the pressure regulator and adjust the regulator to obtain a test point pressure of
- 1 kPa with the two semi-rapid (SR) burners operating at maximum.

LP/Propane

- Connect gas supply to the test point adaptor and ensure that the supply pressure is regulated to 2.75 kPa

- ② Tighten connection

IMPORTANT!

**Use two wrenches to tighten the connection.
Do not over tighten the connector.
Over tightening may crack regulator.**

- ③ The connection must be made at the rear of appliance as shown above.

- The pipe should not cross the back of the range

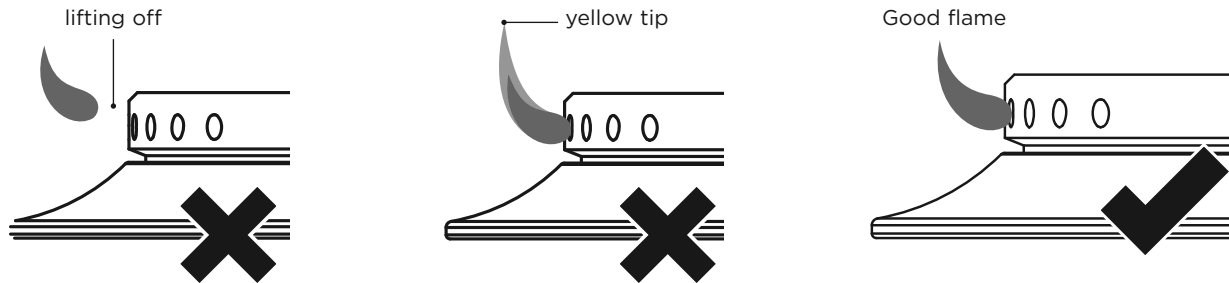
IMPORTANT!

The inlet not used must be closed off with the cap and sealing gasket supplied.

FLAME TESTING

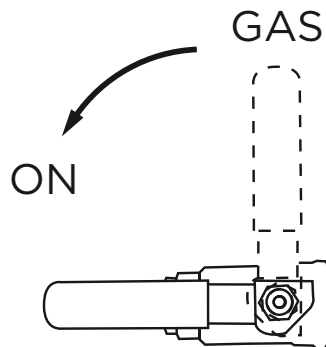
- The operation of the appliance must be tested when installation is completed.
- Turn on the appliance gas controls and light each burner individually and in combination. Check for a well defined blue flame without any yellow tipping. If any abnormality is evident then check that the burner cap is located properly and the injector nipple is aligned correctly.
- Check the minimum burner setting by quickly rotating the gas control knob from the maximum to the minimum position. The flame must not go out. If adjustment is required see section “Adjusting the minimum burner setting”

If correct burner operation cannot be achieved, the installer shall check the installation and contact the local gas supply authority to ensure there are no gas supply problems. If correct operation still cannot be achieved contact Customer Service.



LEAK TESTING

- Ensure all oven and burner knobs are set to OFF before connecting range to gas supply.
- After final gas connection is made, turn gas supply on and test all connections in gas supply piping for gas leaks with a soapy water solution.
- In order to avoid property damage or serious personal injury, never use a lighted match or open flame. If a leak is present, tighten joint or unscrew, apply more joint compound, tighten again and retest connection for leak.



GAS CONVERSION

Conversion to ULPG

- This range can be used with Natural Gas or ULPG. It is shipped from the factory adjusted for use with Natural gas.
- Any conversion required must be performed by an authorised person or service agent.
- The range is supplied with a set of injectors required for converting the range burners.
- Refer to the following table to select the appropriate size injector. The nozzle diameters (hundredths of a millimetre) are marked on the body of each injector.

IMPORTANT!

- After converting the range repeat flame testing.
- If the range has been disconnected and re-connected to the gas supply line repeat leak testing.
- After conversion to ULPG gas affix the supplied conversion label near the data plate on the product, as well as at the beginning of this manual.
- If the range is being converted for use ULPG, before connecting to the gas mains remove the appliance gas regulator and replace with test point adaptor.

Injectors table

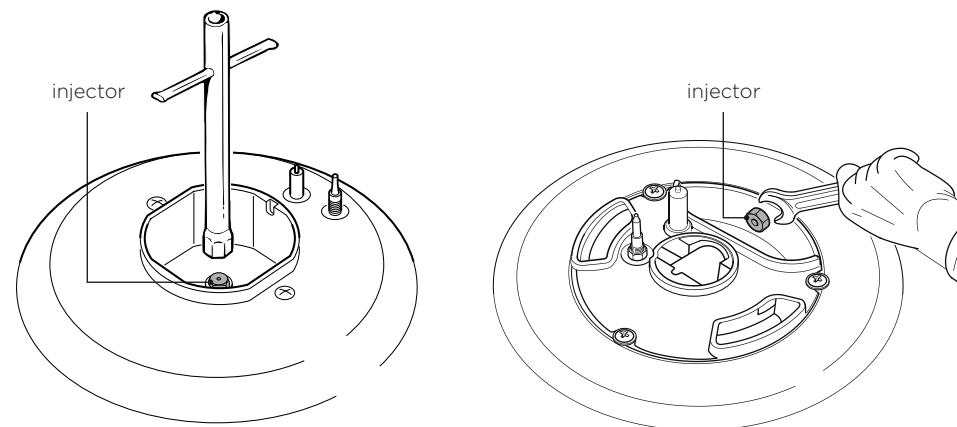
BURNERS	NATURAL GAS 1 KPA	GAS CONSUMPTION	ULPG 2.75 KPA	GAS CONSUMPTION
	Ø INJECTOR MM	MJ/HR	Ø INJECTOR MM	MJ/HR
Auxiliary (A)	0.92	3.90	0.56	3.90
Semirapid (SR)	1.17	6.5	0.70	5.8
Rapid (R)	1.54	11.50	0.98	11.50
Triple Ring (TR)	1.75	14.40	1.07	14.40
Dual (D)				
Inner crown injector	0.76	16.20 ¹	0.48	14.9 ¹
Outer crown injector (x2)	1.23	16.20 ¹	0.71	14.9 ¹

¹ Power calculated with inner and outer crown operating

Replacing the cooktop burner injectors

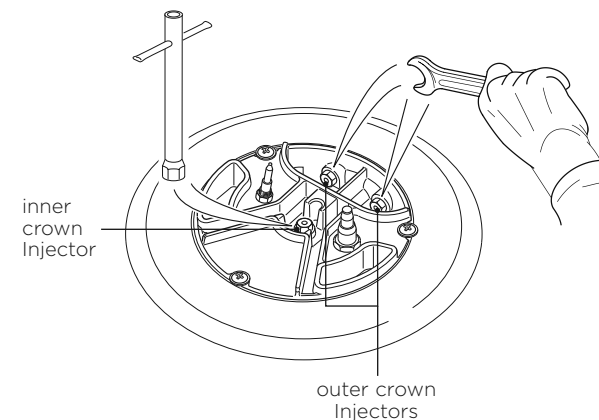
- ① Remove the pan supports, the burner caps and the flame spreaders.
- ② Using a wrench substitute the nozzle injectors with those most suitable for the kind of gas for which it is to be used.
- ③ Adjust the minimum burner setting (see “Adjusting the minimum burner setting”)
- ④ Refit the flame spreaders, the burner caps and the pan supports.
- ⑤ Fix the warning label (supplied with the conversion kit) stating that the cooker has been converted for use with ULPG to the rear of the range. Ensure it is in close proximity to the gas inlet connection.

The burners are designed so that no regulation of the primary air is required.



Auxiliary, Semi-rapid and Rapid burners

Triple ring burners



Dual burner

ADJUSTING THE MINIMUM BURNER SETTINGS

Adjusting the cooktop burner minimums

Check whether the flame spreads to all burner ports when the burner is lit with the gas tap set to the minimum position.

- If some ports do not light, increase the minimum gas rate setting.
- Check whether the burner remains lit even when the gas tap is turned quickly from the maximum to the minimum position.
- If the burner does not remain lit, increase the minimum gas rate setting.

To regulate the flame follow these instructions:

Auxilliary, Rapid, Semi-rapid, Triple-ring and Single Wok burners (A)

- Light the burner.
- Set the gas valve to **LO** position (minimum rate).
- Remove the knob.
- With a thin screwdriver, turn the regulation screw inside the tap rod until adjustment is correct.

Inner crown Dual Wok burner (B)

(OR90SG2, OR90SG4, OR90SDG6 and OR90SG6 models only)

- Light the dual wok burner.
- Set the gas valve to **LO** position (minimum rate of inner crown).
- Remove the knob.
- With a thin screwdriver, turn the regulation screw until adjustment is correct.
- The screw is accessible via a hole in the microswitch.

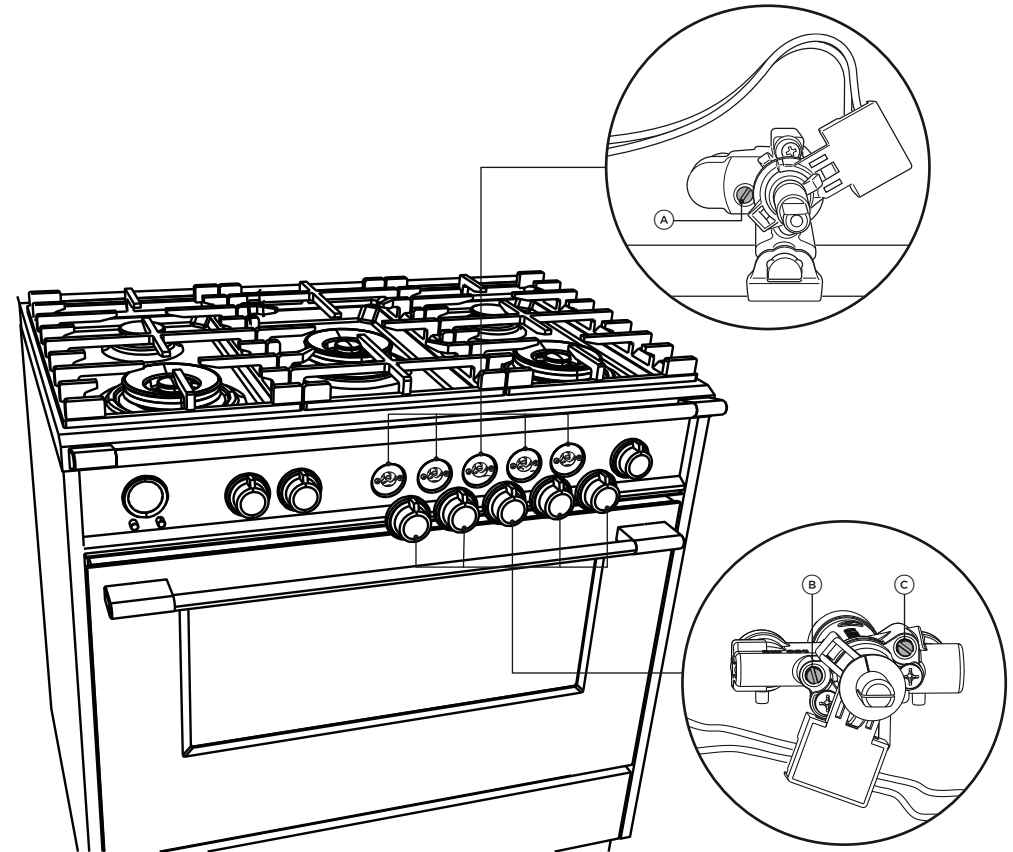
Outer crown Dual Wok burner (C)

(OR90SG2, OR90SG4, OR90SDG6 and OR90SG6 models only)

- Light the dual wok burner.
- Set the gas valve to **LO** position.
(minimum rate of outer crown and maximum rate of inner crown).
- Remove the knob.
- With a thin screwdriver, turn the regulation screw inside the tap rod until adjustment is correct.
- For ULPG, tighten the adjustment screws completely.

Lubrication of the gas valves

- If a gas valve becomes stiff, it is necessary to dismantle it carefully and clean it with petroleum spirit.
- Specialist high temperature resistant grease should be used to lubricate the valve before replacing.
- This must be carried out by an authorised person or service agent.



(A) Regulation screw (Auxilliary, Rapid, Semi-rapid, Triple-ring and Single Wok burners)

(B) Regulation screw (Inner crown Dual Wok burner)

(C) Regulation screw (Outer crown Dual Wok burner)

FINAL CHECKLIST

TO BE COMPLETED BY THE INSTALLER

GENERAL

- Placement of unit.
- Specified clearance maintained to cabinet surfaces.
- Unit Level – front to back, side to side.
- All packaging material and tie straps removed.
- Island trim or optional backguard correctly attached.
- The anti-tip bracket is correctly installed.

ELECTRICAL

- Adequate ground connection.

GAS SUPPLY

- Site gas supply is compatible with range model, and sufficient pressure is available (see section 'Gas connection').
- The pressure regulator (Natural Gas) or the test point adapter (ULPG) are connected and correctly set for the type of gas.
- Unit tested and free of gas leaks.

OPERATION

- All internal packing materials removed. Check below the cooktop grates and inside the oven.
- If converted for use with ULPG, confirm that the test point adapter and cooktop burner injectors have been correctly set for use with ULPG.
- Dials turn correctly and freely.
- Each burner lights satisfactorily, both individually and with other burners operating at the same time.
- The oven display is functioning correctly and the oven is heating when turned on.
- Oven door hinges seated and door opens and closes properly.
- Cooktop grates are correctly positioned, level, and do not rock.
- Cooktop burner flame correct.

Complete and keep for safe reference:

Model _____

Serial no. _____

Purchase date _____

Purchaser _____

Dealer address _____

Installer's name _____

Installer's signature _____

Installation company _____

Installation date _____

FISHERPAYKEL.COM

© Fisher & Paykel Appliances 2019. All rights reserved.
The product specifications in this document apply to the specific products and models described at the date of issue. Under our policy of continuous product improvement, these specifications may change at any time. You should therefore check with your Dealer to ensure this document correctly describes the product currently available.

NZ AU

591516C 07.19